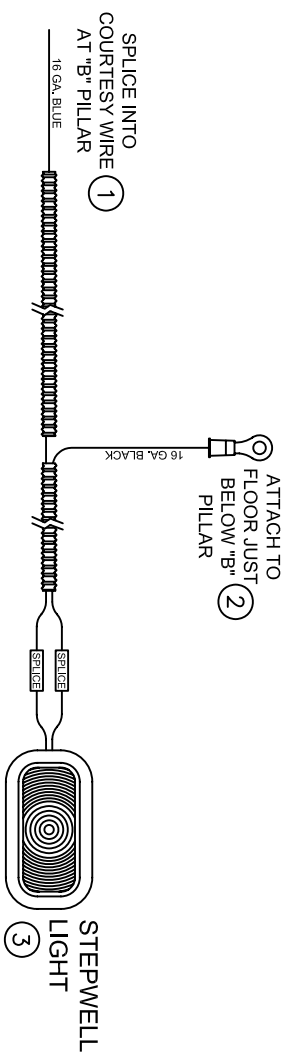
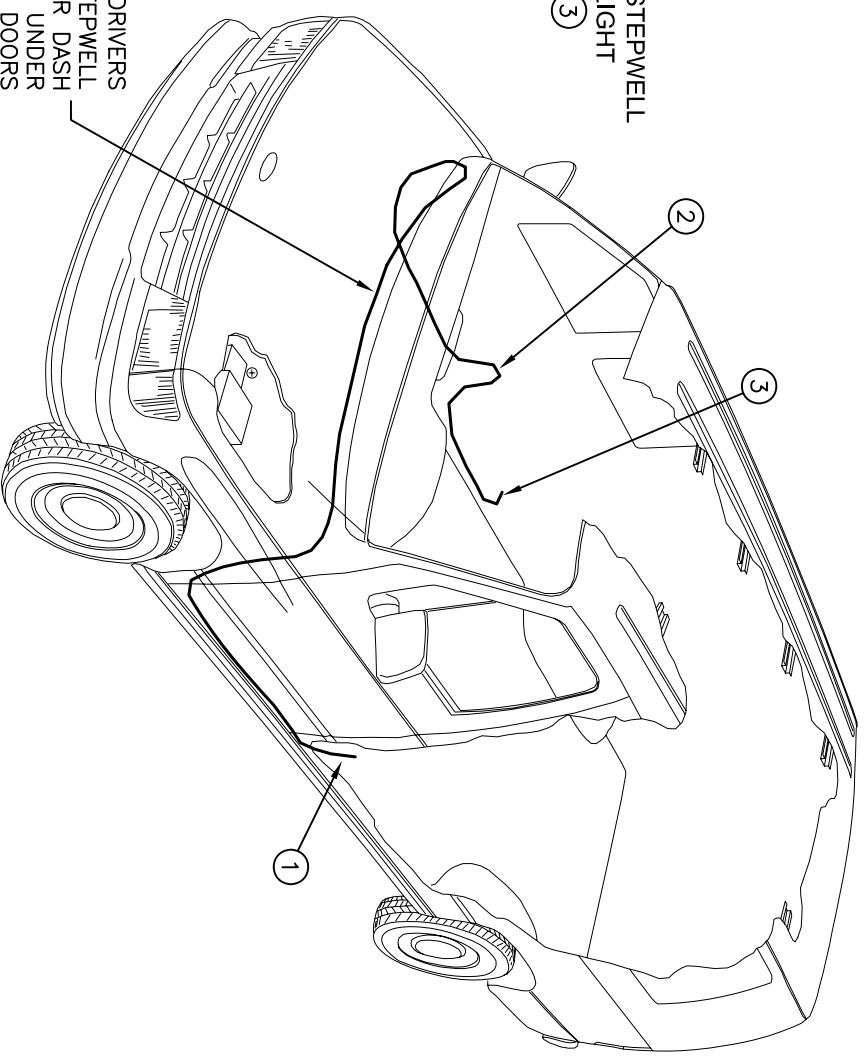


PART# E50031		ECN	NAME
REV	DESCRIPTION	DATE	
-	-	-	-



ALL ROUTING THE SAME FOR CARGO STEP EXTENSION EXCEPT THE LIGHT WILL BE GROUNDED AT STEP BY SCREWING IN THE LIGHT TO THE METAL STEP.

RUN HARNESS FROM DRIVERS "B" PILLAR UNDER STEPWELL THRU KICKPANEL, UNDER DASH TO PASS. SIDE KICKPANEL UNDER PASS. STEPWELL OVER TO CARGO DOORS



CIRCUIT ITEMS	ITEM #	QTY	WIRE SIZE/COLOR	CALC. AMP	ACTUAL AMP
CRTSY/STEPWELL LT. POWER WIRE	1	1	16 GA. BLUE	-	-
CRTSY/STEPWELL LT. GROUND WIRE	2	1	16 GA. BLACK	-	-
STEPWELL LIGHT	3	1	16 GA. RED / 16 GA. WHITE	-	-



THIS PRINT IS LOANED ON A CONFIDENTIAL BASIS. SUBJECT TO RETURN UPON DEMAND BY ACCUBUILT AND NOTHING HEREIN MAY BE REPRODUCED, USED OR DISCLOSED IN WHOLE OR IN PART WITHOUT THE PRIOR WRITTEN PERMISSION OF ACCUBUILT.

TOLERANCE UNLESS NOTED  
 1 PLACE: ± 0.1  
 2 PLACE: ± 0.06  
 3 PLACE: ± 0.031  
 ANGLES: ± 1.0°

DO NOT SCALE DRAWING. ALL DIMENSIONS UNLESS OTHERWISE NOTED.

SCALE	DATE	TITLE
NTS	12/12/08	STEPWELL LIGHT WIRE RUN & CARGO STEP EXTENSION
DRAWN BY		
SDG		
CHECKED		

CHASSIS		MODEL YEAR
FORD COMMERCIAL E-SERIES		2009
PART NO.	REF:	SHEET SIZE
E50031	-	A
		SHT NO.
		-