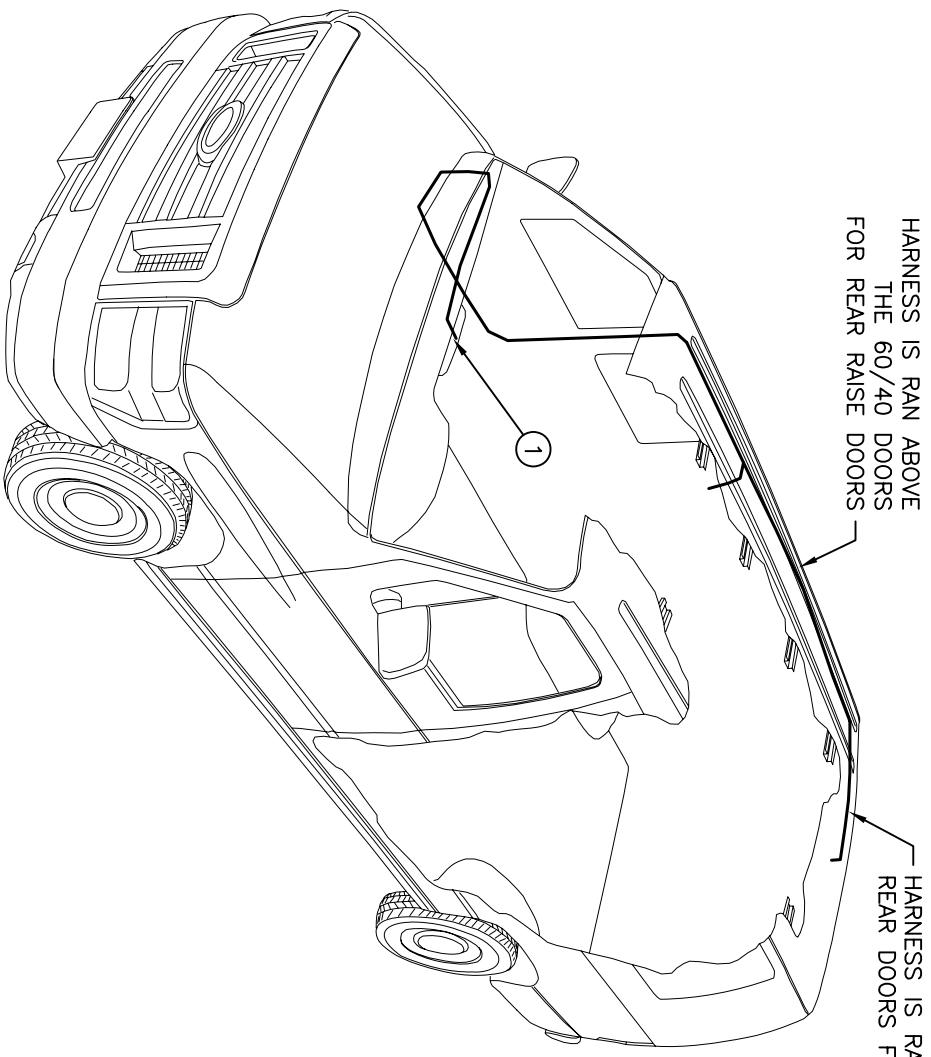


PART# E50021		ECN	NAME
REV / DESCRIPTION			DATE
-		-	



PT# 34413254

TO EMERGENCY
EXIT LIGHT
EITHER TO THE
SIDE DOORS OR
TO THE REAR

①

CIRCUIT ITEMS	ITEM #	QTY	WIRE SIZE/COLOR	CALC. AMP	ACTUAL AMP
EM. EXIT LT. HARNES	1	1	16 GA. / RED	-	-
-	-	-	-	-	-
-	-	-	-	-	-
-	-	-	-	-	-



THIS PRINT IS LOANED ON A
CONFIDENTIAL BASIS SUBJECT
TO RETURN UPON DEMAND BY
ACCUBUILT AND NOTHING
HEREIN MAY BE REPRODUCED,
USED OR DISCLOSED IN WHOLE
OR IN PART WITHOUT THE
PRIOR WRITTEN PERMISSION OF
ACCUBUILT.

1 PLACE: ± 0.1
2 PLACE: ± 0.06
3 PLACE: ± 0.031
ANGLES: ± 1.0°

SCALE
NTS
DRAWN BY
SDG

DATE
12/11/08

CHASSIS

TITLE
EMERGENCY EXIT ELECTRICAL LAYOUT

MODEL YEAR
2009

SHEET SIZE
A

SHT NO.
-

DO NOT SCALE DRAWING ALL
DIMENSIONS UNLESS OTHERWISE NOTED.

CHECKED

PART NO.
E50021

REF: -