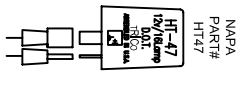


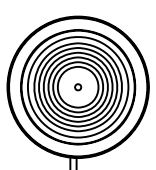
PART# E50022		ECN	NAME
REV	DESCRIPTION	DATE	
-	-	-	-



FLASHER  
①

DOOR AJAR  
HARNESSES  
PT# 54410457

DOOR AJAR  
FLASHING LIGHT  
IN DASH  
PT# 5447097  
②



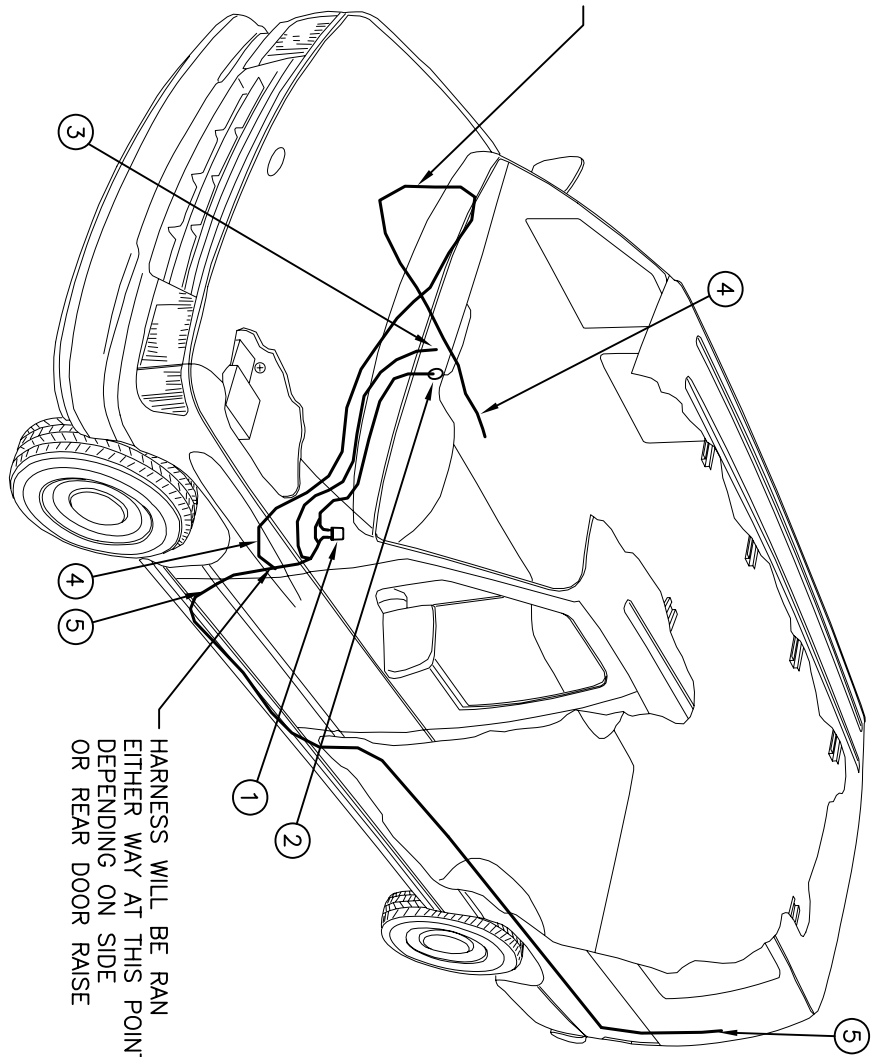
DOOR  
SWITCH  
PT# 5447088  
(SIDE)  
PT# 34115568  
(REAR)  
④

FOLLOW HARNESSES 4  
FOR SIDE DOOR  
RAISE TO DOOR PIN  
⑤

FOLLOW HARNESSES 5  
FOR REAR DOOR  
RAISE TO DOOR PIN

HARNESSES FOR SIDE RAISE  
IS RAN THRU DASH  
DOWN TO KICKPANEL  
THEN UNDER STEPPWELL  
AND TO DOOR SWITCH

TO POWER  
POINT IN  
DASH  
③



HARNESSES WILL BE RAN  
EITHER WAY AT THIS POINT  
DEPENDING ON SIDE  
OR REAR DOOR RAISE

CIRCUIT ITEMS	ITEM #	QTY	WIRE SIZE/COLOR	CALC. AMP	ACTUAL AMP
FLASHER	1	1	16 GA. RED	-	-
DOOR AJAR LIGHT IN DASH	2	1	16 GA. RED / 16 GA. BLACK	-	-
CONNECTED TO PWR POINT IN DASH	3	1	16 GA. RED	-	-
ATTACHED TO DOOR SWITCH	4	1	16 GA. BLACK	-	-



THIS PRINT IS LOANED ON A  
CONFIDENTIAL BASIS SUBJECT  
TO RETURN UPON DEMAND BY  
ACCUBUILT AND NOTHING  
HEREIN MAY BE REPRODUCED,  
USED OR DISCLOSED IN WHOLE  
OR IN PART WITHOUT THE  
PRIOR WRITTEN PERMISSION OF  
ACCUBUILT.

TOLERANCE UNLESS NOTED  
1 PLACE: ± 0.1  
2 PLACE: ± 0.06  
3 PLACE: ± 0.031  
ANGLES: ± 1.0°  
DO NOT SCALE DRAWING. ALL  
DIMENSIONS ARE AS SHOWN  
UNLESS OTHERWISE NOTED.

SCALE  
NTS  
DRAWN BY  
SDG  
CHECKED  
-

DATE  
12/11/08

CHASSIS  
FORD COMMERCIAL E-SERIES  
MODEL YEAR 2009  
TITLE  
DOOR AJAR W/O INTERLOCK FOR SIDE AND REAR RAISE  
PART NO.  
E50022  
REF: -  
SHEET SIZE  
A  
SHT NO.  
-